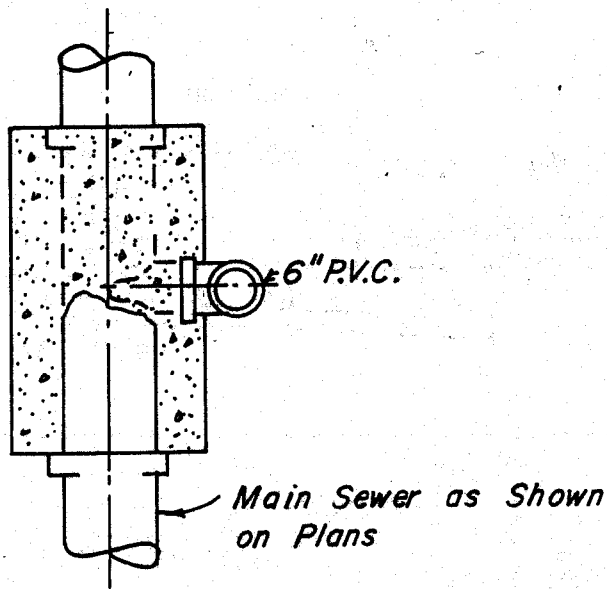
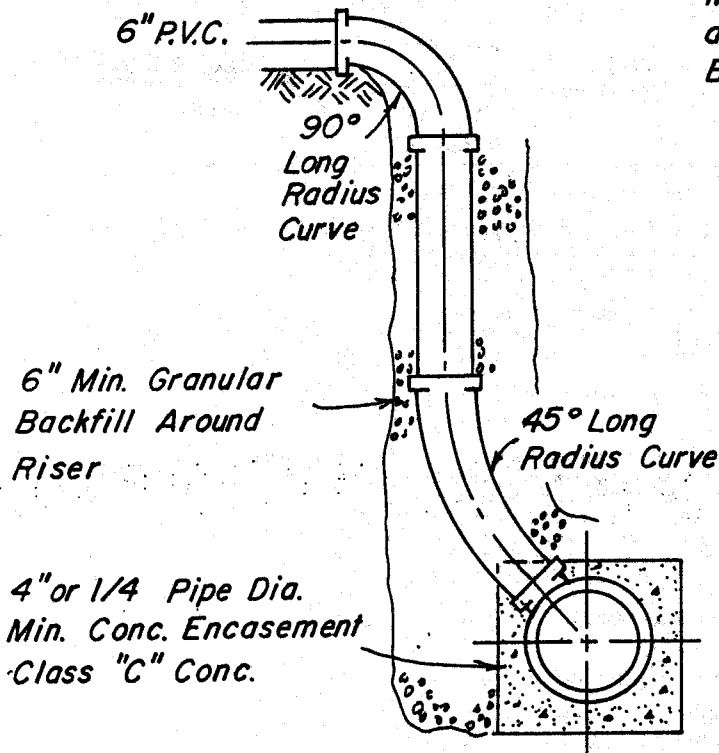


PLAN

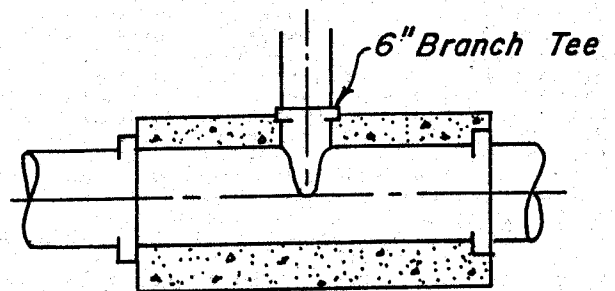


Slope 1.0% Min. (1/8" per ft.)

*Exact Record of Location of Curve  
Must be Made, as to Depth From Surface  
and Distance From  $\epsilon$  of Sewer, Before  
Backfill is Placed.*



*All Backfill Around Pipe to be  
Deposited by Hand in 6 in.  
Layers and Each Layer  
Mech. Tamped..*



SECTION

TYPE - 3

*To be Used Where Main Sewers are  
Over 16' in Depth or as Directed*

STANDARD DRAWING

HOUSE CONNECTION

CITY ENGINEER

GAYLON L. DAVIS

DRAWN BY

S. L. O.

DATE

JUNE 81

REVISIONS